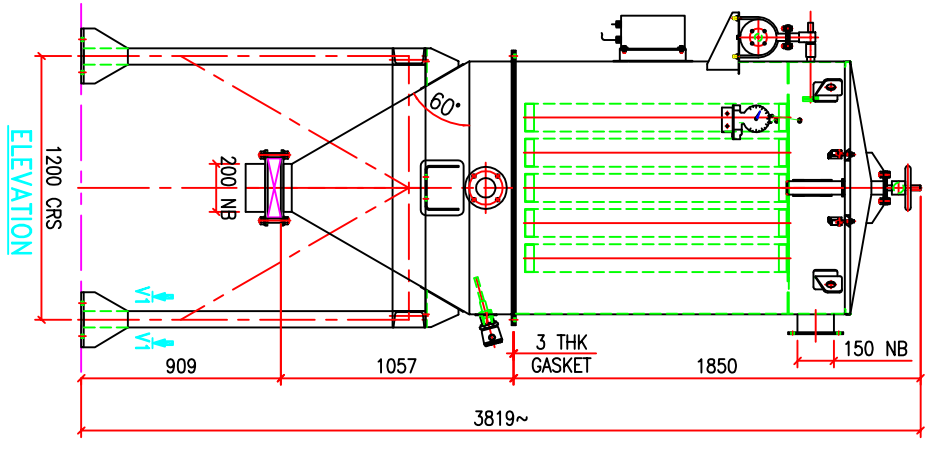
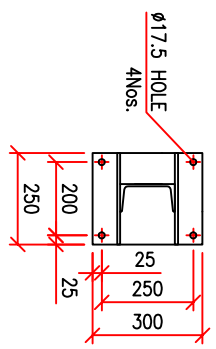
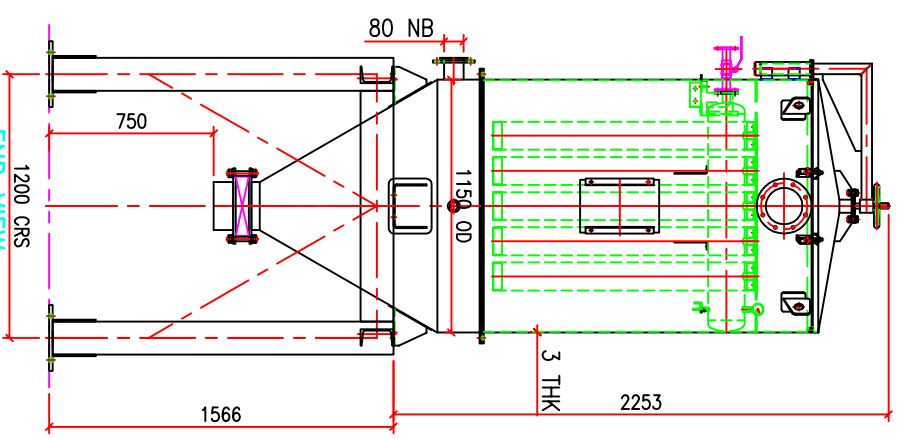


VIEW : V1-V1



END VIEW



REV	ZONE	DESCRIPTION	BY	CHKD	DATE
1					

**NOTES**  
1. ALL DIMENSIONS ARE IN MM.

TOTAL WEIGHT : 810.0 kg~

**SCORPIO ENGINEERING BMH PVT LIMITED**  
BANGALORE  
INDIA

REMOVE ALL BURRS AND SHARP CORNERS. TAPPED HOLES TO BE COUNTERSUNK.  
UNSPECIFIED FILLETS AND RADI TO BE 3 mm.  
DRN :RAGHAVENDRA DATE :14/4/2014 ALL DIMENSIONS ARE IN mm UNLESS OTHERWISE SPECIFIED  
CHKD :JACOB DATE :14/4/2014 SCALE :  
APPD : DATE : THIRD ANGLE PROJ. NTS

THE COPY RIGHT OF THESE DRAWINGS AND OF ENCLOSURES ENTRUSTED TO THE RECIPIENT PERSONALLY REMAINS THE EXCLUSIVE PROPERTY OF THIS FIRM. WITHOUT OUR WRITTEN CONSENT THEY MAY NOT BE COPIED OR REPRODUCED OR DELIVERED OR MADE KNOWN TO THE THIRD PARTIES

TITLE :-  
**GA OF BAG FILTER**

DRG NO. \_\_\_\_\_

SHEET	1	OF	1	REV	0
-------	---	----	---	-----	---