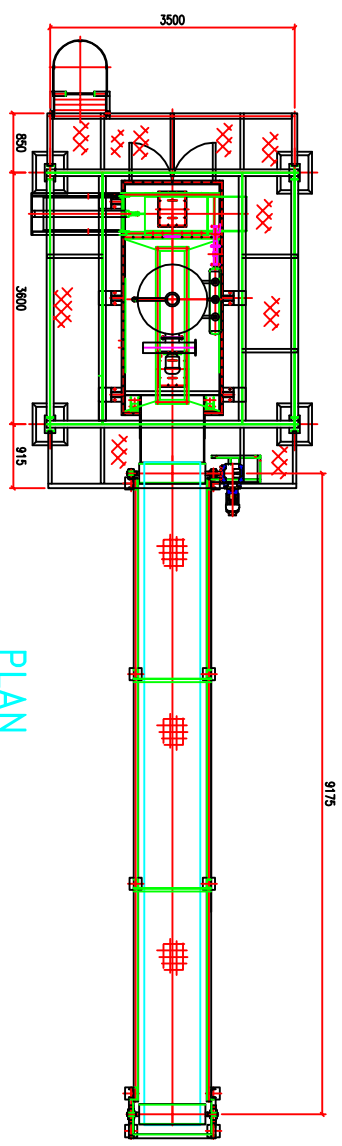
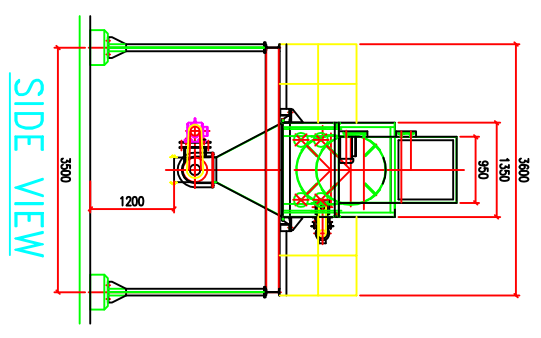


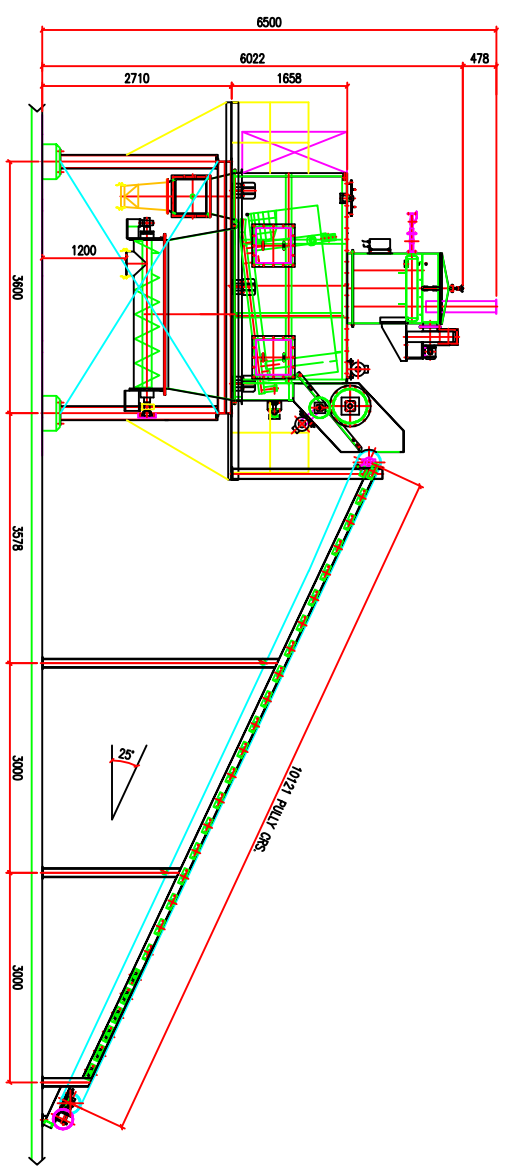
REV	ZONE	DESCRIPTION	BY	CHKD	DATE



PLAN



SIDE VIEW



ELEVATION

BMH **SCORPIO ENGINEERING** **BMH PVT LIMITED**
 BANGALORE
 INDIA

REMOVE ALL BURRS AND SHARP CORNERS. TAPPED HOLES TO BE COUNTERSUNK.
 UNSPECIFIED FILLETS AND RADI TO BE 3 mm.
 DRN : RAGHAVENDRA DATE : 28.05.2015
 CHKD : JACOB DATE : 28.05.2015
 APPD : DATE :
 ALL DIMENSIONS ARE IN mm UNLESS OTHERWISE SPECIFIED
 THIRD ANGLE PROJ. SCALE :
 THE COPY RIGHT OF THESE DRAWINGS AND OF ENCLOSURES ENTRUSTED TO THE RECIPIENT PERSONALLY REMAINS THE EXCLUSIVE PROPERTY OF THIS FIRM. WITHOUT OUR WRITTEN CONSENT THEY MAY NOT BE COPIED OR REPRODUCED OR DELIVERED OR MADE KNOWN TO THE THIRD PARTIES

TITLE :-
GA OF BAG SLITTING MACHINE
 DRG NO. 1 OF 1
 SHEET 1 OF 1
 REV 0