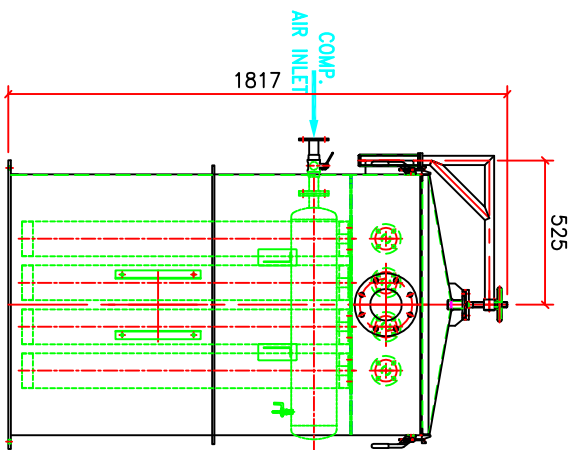
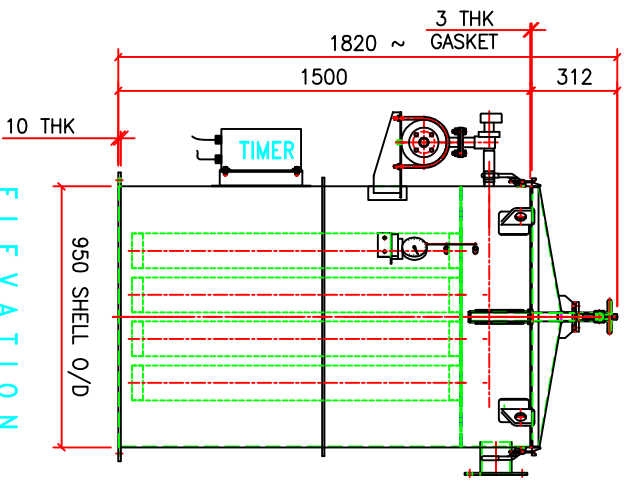
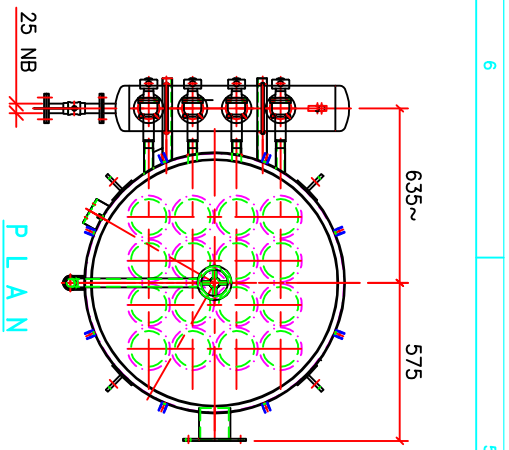


REV	ZONE	DESCRIPTION	BY	CHKD	DATE



**NOTES:**  
1. ALL DIMENSIONS ARE IN MM.

TOTAL FIN.WT : 250.0 Kg.

**SCORPIO ENGINEERING BMH PVT LIMITED**  
BANGALORE INDIA

REMOVE ALL BURRS AND SHARP CORNERS. TAPPED HOLES TO BE COUNTERSUNK. UNSPECIFIED FILLETS AND RADI TO BE 3 mm.		THE COPY RIGHT OF THESE DRAWINGS AND OF ENCLOSURES ENTRUSTED TO THE RECIPIENT PERSONALLY REMAINS THE EXCLUSIVE PROPERTY OF THIS FIRM. WITHOUT OUR WRITTEN CONSENT THEY MAY NOT BE COPIED OR REPRODUCED OR DELIVERED OR MADE KNOWN TO THE THIRD PARTIES	
DRN : RAGHAVENDRA	DATE : 14.4.14	ALL DIMENSIONS ARE IN mm UNLESS OTHERWISE SPECIFIED	SCALE : NTS
CHKD : JACOB	DATE : 14.4.14	THIRD ANGLE PROJ.	DRG NO.
APPD :	DATE :		REV

TITLE :- GA OF BIN VENT FILTER

SHEET 1 OF 1

REV 0