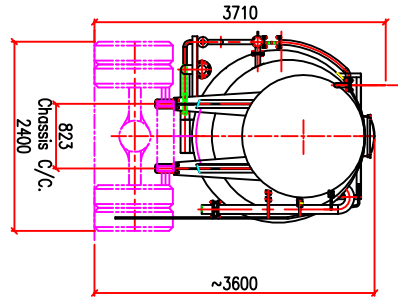
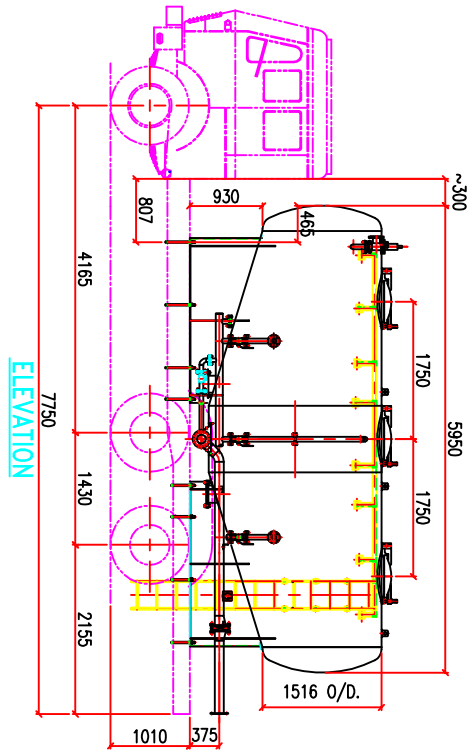
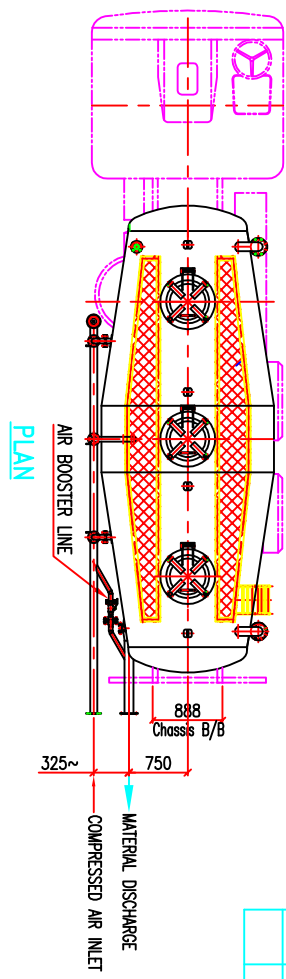


REV	ZONE	DESCRIPTION	BY	CHKD	DATE



IMPORTANT NOTE TO CLIENT

EVEN THOUGH THE BULK TANKER IS HYDRO TESTED AS PER TECHNICAL SPEC. IT IS USER RESPONSIBILITY TO GET VESSEL HYDRO TESTED AS PER NORMS AND CERTIFIED BY THE LOCAL AUTHORITIES CONCERNED.

WEIGHT SUMMARY

BULK TANKER WEIGHT	: 4000 kg (max)
MATERIAL WEIGHT IN TANKER	: 13000 KG MAX
CHASSIS WEIGHT	: 6500 kg
TOTAL WEIGHT	23500 kg
MAX. PERMISSIBLE G.V.W OF TATA LPT 2515 TC EX	: 25000 kg

USER NOT TO LOAD TANKER MORE THAN MAX PERMISSABLE G.V.W

NOTES

1. ALL DIMENSIONS ARE IN MM.
2. ALL WELDINGS ARE OF FILLET AND CONTINUOUS
3. AIR LINE AND DISCHARGE LINE SHALL BE SUPPORTED SUITABLY
4. CHECK ALL VALVE DIRECTIONS DURING ASSEMBLY & COMMISSIONING
5. SUITABLE COVER SHALL BE PROVIDED FOR PRESSURE GAUGE.

TOTAL WEIGHT OF BULK TANKER ASSLY : ~4000 Kg.

ITEM No.	DESCRIPTION	MATL.	QTY.	REMARKS

SCORPIO ENGINEERING BMH PVT LIMITED

BANGALORE

INDIA

<p>REMOVE ALL BURRS AND SHARP CORNERS. TAPPED HOLES TO BE COUNTERSUNK. UNSPECIFIED FILLETS AND RADI TO BE 3 mm.</p> <p>ALL DIMENSIONS ARE IN mm UNLESS OTHERWISE SPECIFIED</p> <p>SCALE : NTC NTS</p> <p>THIRD ANGLE PROJ.</p>	<p>THE COPY RIGHT OF THESE DRAWINGS AND OF ENCLOSURES ENTRUSTED TO THE RECIPIENT PERSONALLY REMAINS THE EXCLUSIVE PROPERTY OF THIS FIRM. WITHOUT OUR WRITTEN CONSENT THEY MAY NOT BE COPIED OR REPRODUCED OR DELIVERED OR MADE KNOWN TO THE THIRD PARTIES</p>
--	---

<p>CHKD : JACOB</p> <p>DATE : 26.05.2015</p>	<p>APPD :</p> <p>DATE :</p>	<p>TITLE : -</p> <p>G.A OF BULK TANKER</p>	<p>DRG NO.</p> <p>SHEET 1 OF 1</p>	<p>REV. 0</p>
--	-----------------------------	---	------------------------------------	---------------