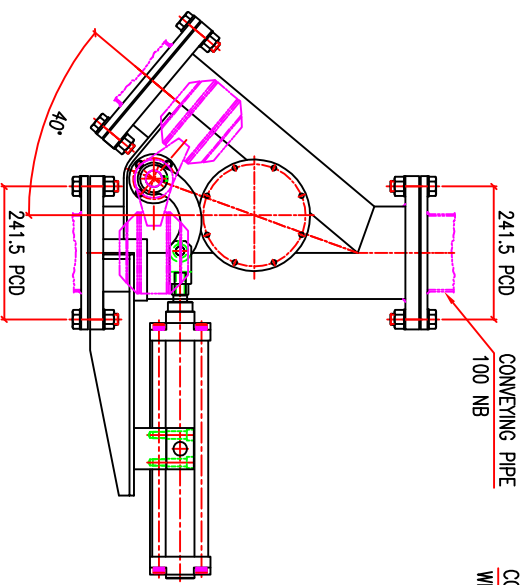
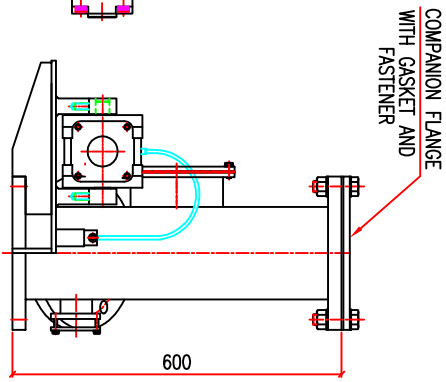


PLAN



ELEVATION



SIDE VIEW

REV	ZONE	DESCRIPTION	BY	CHKD	DATE

**NOTES :**

1. ALL DIMENSIONS ARE IN MM.
2. ALL WELDING ARE OF FILLET AND CONTINUOUS U.O.S

TOTAL FINISHED WT: 94 Kg.~

**SCORPIO ENGINEERING**  
BANGALORE  
INDIA



REMOVE ALL BURRS AND SHARP CORNERS. TAPPED HOLES TO BE COUNTERSUNK.  
UNSPECIFIED FILLETS AND RADI TO BE 3 mm.

ALL DIMENSIONS ARE IN mm UNLESS OTHERWISE SPECIFIED

CHKD : JACOB	DATE : 27.03.2010	SCALE :	NTS
APPD :	DATE :	THIRD ANGLE PROJ.	

THE COPY RIGHT OF THESE DRAWINGS AND OF ENCLOSURES ENTRUSTED TO THE RECIPIENT PERSONALLY REMAINS THE EXCLUSIVE PROPERTY OF THIS FIRM. WITHOUT OUR WRITTEN CONSENT THEY MAY NOT BE COPIED OR REPRODUCED OR DELIVERED OR MADE KNOWN TO THE THIRD PARTIES

DRG NO. \_\_\_\_\_

TITLE :-  
**GA OF HEAVY DUTY DIVERTTER**

SHEET	1	OF	1	REV	0
-------	---	----	---	-----	---