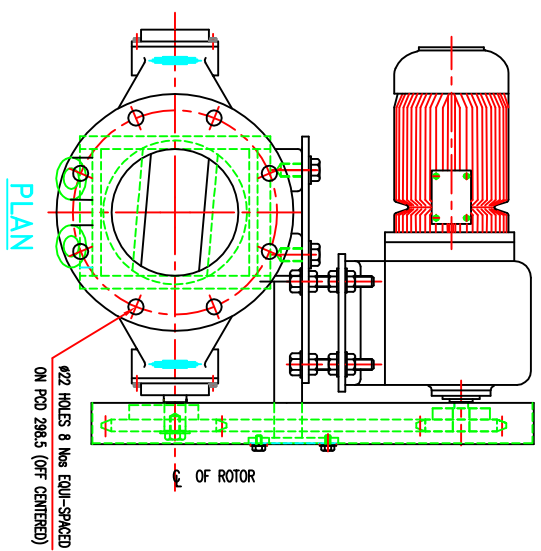
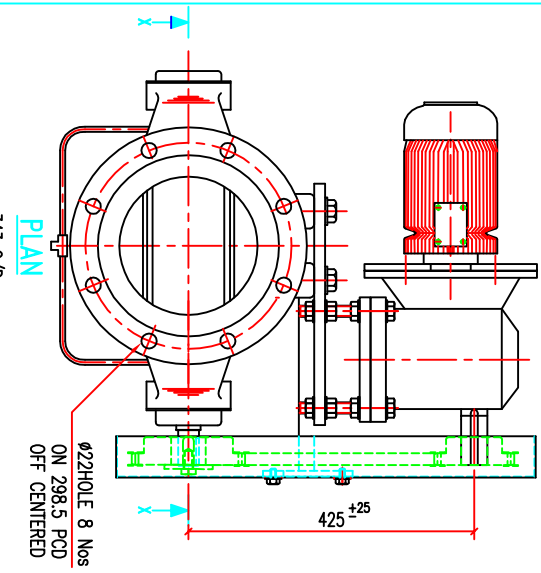
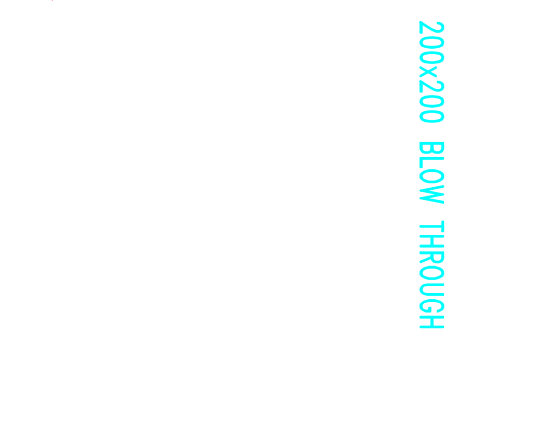


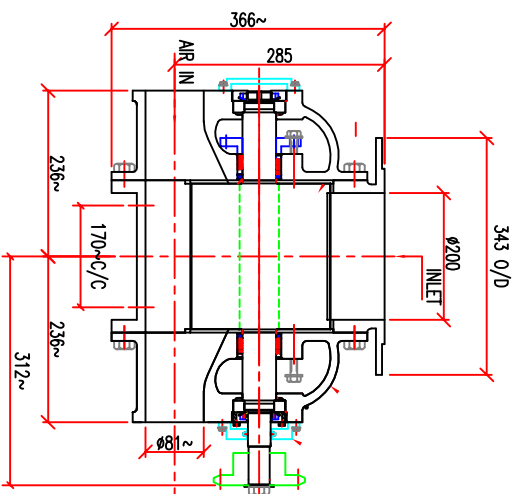
REV	ZONE	DESCRIPTION	BY	CHKD	DATE



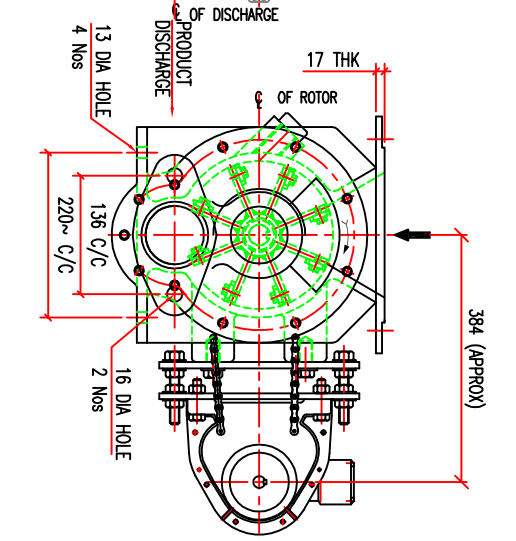
200x200 BLOW THROUGH



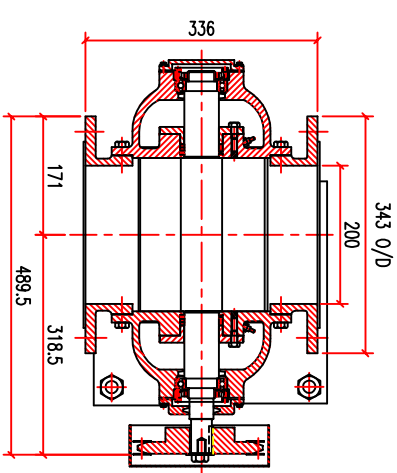
200x200 DROP THROUGH



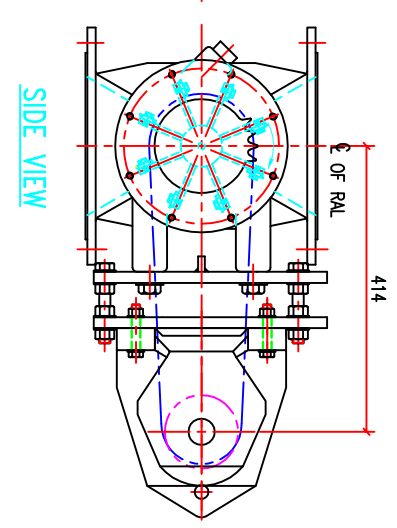
ELEVATION



END VIEW



ELEVATION



SIDE VIEW

TOTAL FINISHED WT: 160 Kg~.

NOTES

1. ALL DIMENSIONS ARE IN MM.
2. CLEARANCE BETWEEN ROTOR AND CASING : 0.15 MM TO 0.2 MM
3. ROTARY AIR LOCK INTERNALS ARE SHOWN FOR REFERENCE ONLY.
4. PROVIDE OIL RUBBER GASKET BETWEEN CONTACT SURFACE OF BODY, END COVERS, BEARING COVERS.

TOTAL FINISHED WT: 194 Kg~.

**SCORPIO ENGINEERING BMH PVT LIMITED**  
BANGALORE  
INDIA

REMOVE ALL BURRS AND SHARP CORNERS. TAPPED HOLES TO BE COUNTERSUNK.  
UNSPECIFIED FILLETS AND RADII TO BE 3 mm.  
ALL DIMENSIONS ARE IN mm UNLESS OTHERWISE SPECIFIED  
DRN : RAGHAVENDRA DATE : 14/4/14  
CHKD : JACOB DATE : 14/4/14  
APPD : DATE :  
THIRD ANGLE PROJ. NTS

THE COPY RIGHT OF THESE DRAWINGS AND OF ENCLOSURES ENTRUSTED TO THE RECEIPT PERSONALLY REMAINS THE EXCLUSIVE PROPERTY OF THIS FIRM. WITHOUT OUR WRITTEN CONSENT THEY MAY NOT BE COPIED OR REPRODUCED OR DELIVERED OR MADE KNOWN TO THE THIRD PARTIES

TITLE :-	GA OF ROTARY AIRLOCK	DRG NO.		REV	
SHEET	1	OF	1	0	